

Mirror Systems for



Medium Duty Commercial Trucks

- 15" dual lens
- Flat glass
- Convex glass
- 4 way adjust
- ABS housing
- Easy to service



Heat Option



Hand Set



Flat lens
over
Convex lens

Truck Models include: FE, FE Crew, and FG.



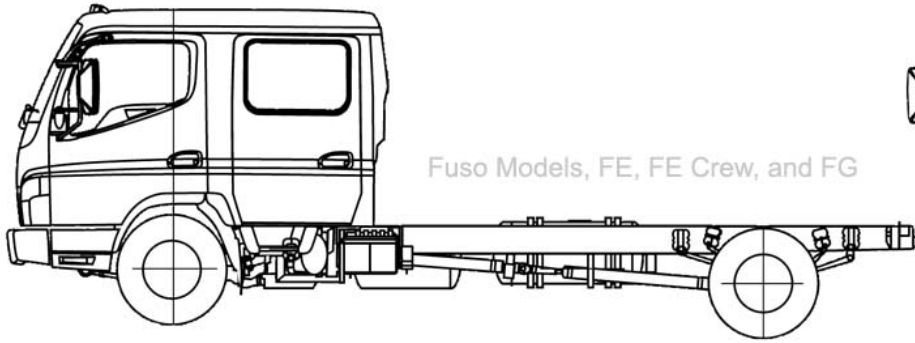
Mirrors on the Move!



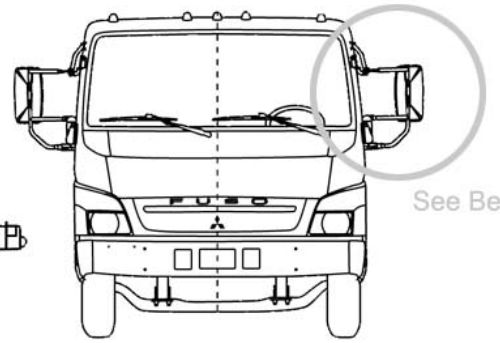
2488 Bristol Circle,
Oakville, Ontario,
CA. L6H 5S1

Toll Free: (800) 295-3703
PH: (905) 829-4180
Fax: (905) 829-4184
www.lucerix.com

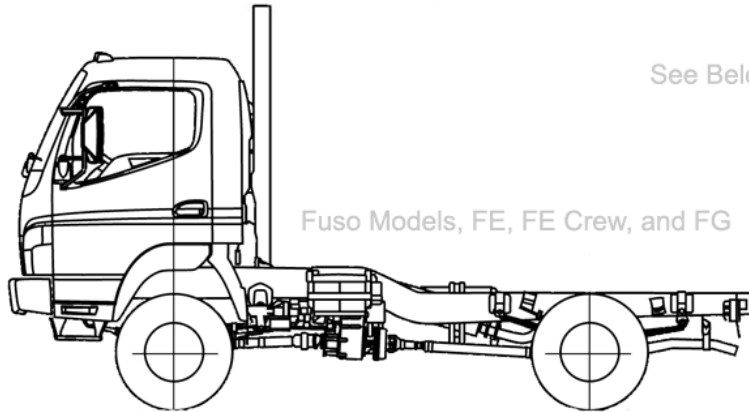
Mirror Systems for



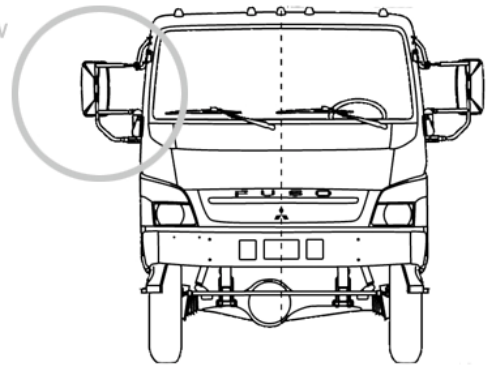
Fuso Models, FE, FE Crew, and FG



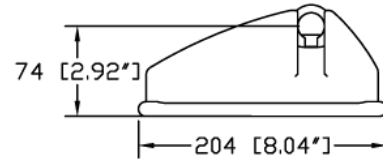
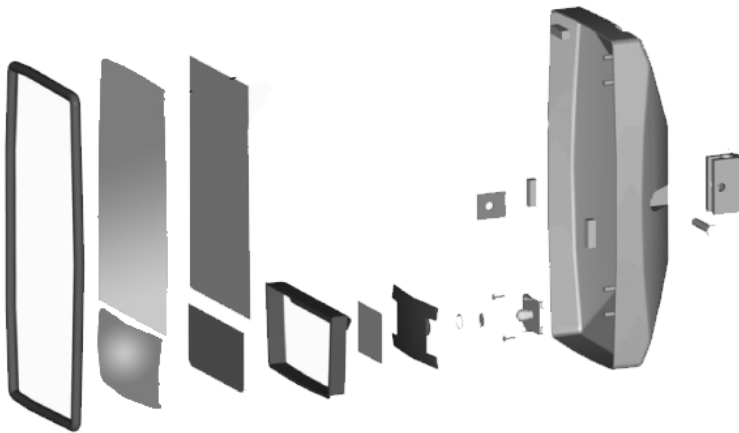
See Below



Fuso Models, FE, FE Crew, and FG



See Below

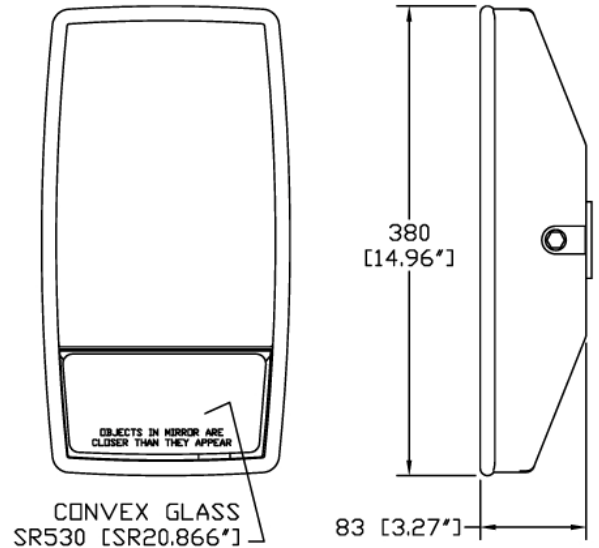


Mirror Assembly

	No Heat	Heated Glass
Left Hand	X20.718.00#22	X20.695.00#22 12V
Right Hand	X20.719.00#22	X21.771.00#22 12V

Glass Replacement

	No Heat		Heated Glass	
	Upper Glass	Lower Glass	Upper Glass	Lower Glass
Left Hand	SV20.513.90	S20.719.23	S20.695.46 12V	S20.695.45 12V
Right Hand	SV20.513.90	S20.719.23	S20.695.46 12V	S20.695.45 12V



Mirrors on the Move!



2488 Bristol Circle,
Oakville, Ontario,
CA. L6H 5S1

Toll Free: (800) 295-3703
PH: (905) 829-4180
Fax: (905) 829-4184
www.lucerix.com